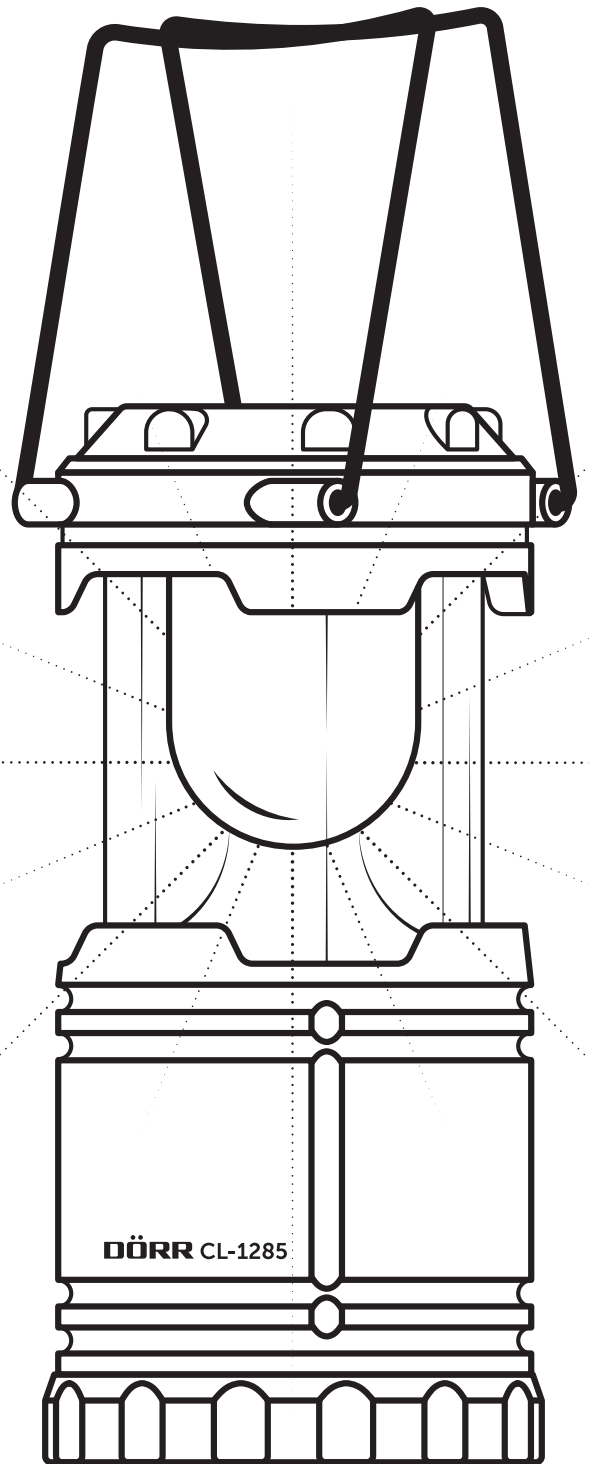
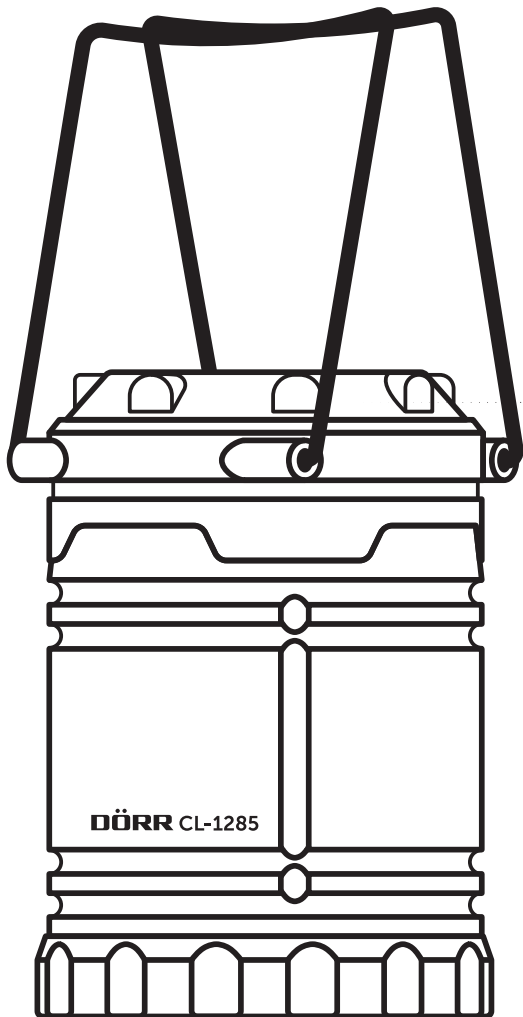


**DÖRR**

# LED CAMPING- & EMERGENCY LIGHT

GB INSTRUCTION MANUAL



## CL-1285

**THANK YOU** very much for choosing a quality product by DÖRR.

**Please read the instruction manual and the safety hints carefully before using the device for the first time.**

Keep the operating instructions together with the device for reference. If other people use this device, provide them with these instructions. If you sell the unit, this manual forms an integral part of the device and must be supplied with it.

**DÖRR is not liable for damage caused by improper use or failure to observe the operating and safety instructions.**

In the event of damage caused by improper handling or by external influence, the guarantee or warranty claim becomes void. Any manipulation, structural modification of the product or opening of the housing by the user or an unauthorised third party shall be considered improper handling.

## 01 | ⚠ SAFETY HINTS

- **Do not look directly into the LED and do not direct the light beam into the eyes of humans or animals.**
- **Do not point the light at vehicles or aircrafts.**
- Make sure to use the device only with **3 appropriate, high-quality batteries type Mignon AA LR6 1.5V** (not included). Please remove batteries when device is not in use for a long period of time.
- Protect the device from rain, moisture, direct sunlight and extreme temperatures.
- Do not operate or touch the device with wet hands.
- Protect the device against impacts. Do not use the device if it has been dropped. In this case a qualified electrician should inspect the device before you use it again.
- Do not attempt to repair the device by yourself. **Risk of electric shock!** When service or repair is required, contact qualified service personnel.
- **This device is not a toy! To prevent accidents and suffocation keep the device, the accessories and the packing materials away from children and pets.**
- People with physical or cognitive disabilities should use the device with supervision.
- People with cardiac pacemakers, defibrillators or any other electrical implants should maintain a minimum distance of 30 cm, as the device generates magnetic fields.
- Protect the device against dirt. Never use aggressive cleansing agents or benzene to clean the device. We recommend a soft, slightly damp microfiber cloth to clean the outer parts of the device. **Turn off the device and remove batteries before cleaning.**
- Store the device in a dust-free, dry and cool place.
- If the device is defective or without any further use, dispose of the device according to the Waste Electrical and Electronic Equipment Directive WEEE. For further information, please contact your local authorities.

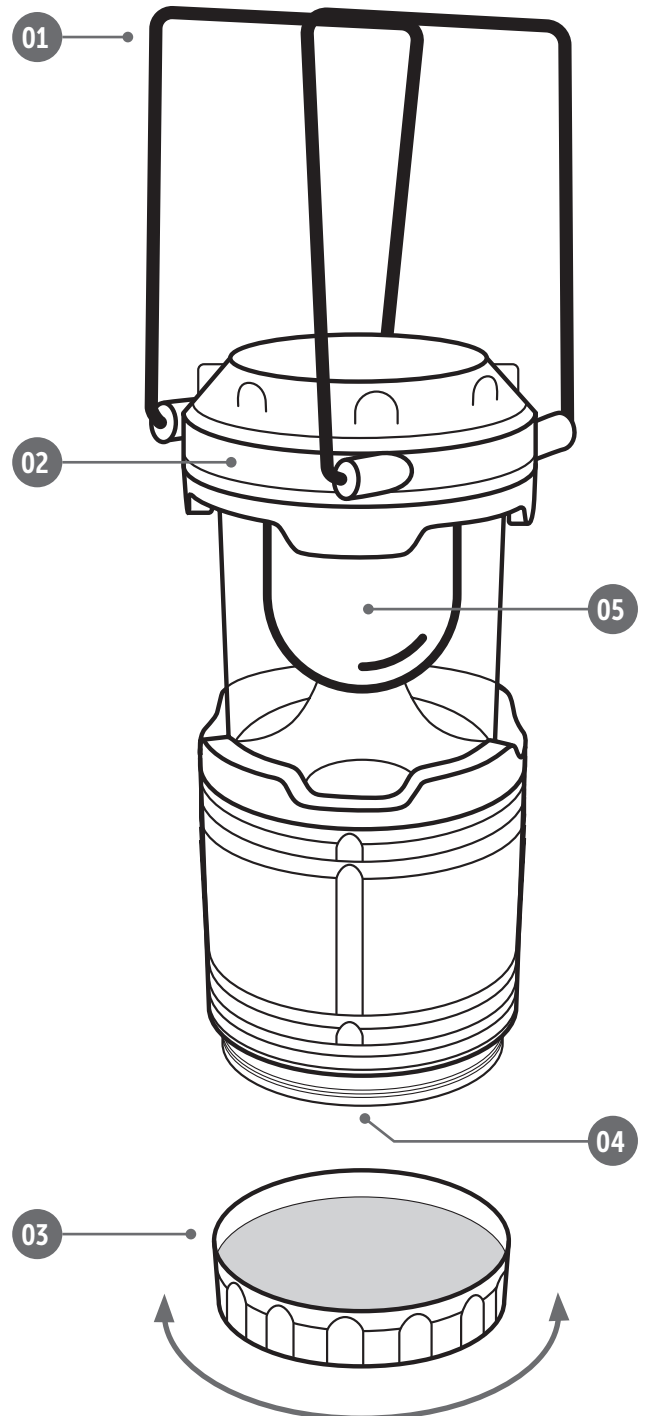
## 02 | ⚠ SAFETY HINTS FOR BATTERIES

Only use high-quality batteries of popular brands. **When inserting the batteries, please respect the correct polarity (+/-).** Do not insert batteries of different types and always replace all batteries at the same time. Do not combine used batteries with fresh batteries. Please remove batteries when device is not in use for a longer period. **Do not throw the batteries into fire, do not short-circuit and do not disassemble them! Never charge non-rechargeable batteries – risk of explosion!** Remove empty batteries immediately from the device to avoid the leaking of battery acid. Remove leaking batteries from the device immediately. Clean the contacts before inserting fresh batte-

ries. **Risk of battery acid burn!** In case of contact with battery acid, rinse the affected area immediately with water and contact a doctor. Batteries can be dangerous to life if swallowed. **Keep batteries away from small children and pets.** Do not dispose of batteries in household waste (see also chapter „Disposal of Batteries/Accumulators“).

### 03 | NOMENCLATURE

- 01 2 Metal brackets for hanging
- 02 Extendable light head
- 03 Battery compartment lid
- 04 Battery compartment
- 05 LED illumination



## 04 | OPERATION

### 04.1 Inserting batteries

#### CAUTION

Make sure to use only fresh Mignon AA LR6 1.5V Alkaline Manganese batteries of the same type and brand. When inserting the batteries please respect the correct polarity (+/-). Please remove batteries when device is not in use for a longer period.

Inexpensive battery value packs can be found in our **DÖRR web shop**:

[www.doerr-outdoor.de](http://www.doerr-outdoor.de) 

Unscrew the battery compartment lid (03) counterclockwise to the left. Insert **3 AA batteries** into the battery compartment (04) **according to the correct polarity +/- (markings in the battery compartment)**. Screw the battery compartment lid (03) back on.

### 04.2 Power On/Off

1. To **turn on** the camping light, pull the light head (02) **upwards**.
2. To **turn off** the camping light, press the light head (02) **down**.

### 04.3 Hang up the light

Fold up the two metal brackets (01) to hang the light on a hook, on a branch or similar.

## 05 | CLEANING AND STORAGE

Never use aggressive cleansing agents or benzine to clean the device. We recommend a soft, slightly damp microfiber cloth to clean the outer parts of the device. **Remove batteries before cleaning!** Store the device in a dust-free, dry and cool place. **This device is not a toy - keep it out of reach of children. Keep away from pets.**

## 06 | TECHNICAL SPECIFICATIONS

|   |  |
|---|--|
| Illumination                                  | 6x 1 W LEDs                                      |
| Max. brightness approx.                       | 90 Lumen   |
| Operating time approx. (with fresh batteries) | 12 hours   |
| Protection class                              | IP43   |
| Power source                                  | 3x Mignon AA LR6 1,5V (not included)             |
| Dimensions approx.                            | Ø 85 mm, height: 124 mm, height extended: 185 mm |
| Weight w/o batteries approx.                  | 220 g  |

*DÖRR GmbH reserves the right to make technical changes without notice.*

## 07 | SCOPE OF DELIVERY

- 1x LED Camping and Emergency Light CL-1285
- 1x Safety Hints

## 08 | DISPOSAL, CE MARKING

### 08.1 DISPOSAL OF BATTERY/ACCUMULATOR

Batteries and rechargeable batteries are marked with the symbol of a crossed-out waste bin. This symbol indicates that empty batteries or rechargeable batteries that can no longer be recharged must not be disposed of in household waste. Old batteries may contain harmful substances that can cause damage to health and the environment. As the end user, you are legally obliged to return used batteries (under German battery law, Section 11 Act Revising the Law of Waste-Related Product Responsibility for Batteries and Accumulators). You can return batteries free of charge after use at the point of sale or in your immediate vicinity (e.g. at municipal collection points or in shops). You can also return batteries to the seller by post.

### 08.2 WEEE INFORMATION

The WEEE (Waste Electrical and Electronic Equipment) Directive, which came into force as European law on 13 February 2003, led to comprehensive changes in the disposal of discarded electrical equipment. The primary purpose of this directive is to prevent e-waste while promoting reuse, recycling and other forms of reprocessing in order to reduce waste. The WEEE logo (dustbin) shown on the product and on the packaging indicates that the product must not be disposed of in normal household waste. You are responsible for delivering all discarded electrical and electronic equipment to appropriate collection points. Sorting waste for separate collection and sensible recycling of packaging waste helps to use natural resources more sparingly. Furthermore, e-waste recycling is a contribution to preserving our environment and thus also people's health. Further information on the disposal of electrical and electronic equipment, recycling and collection points can be obtained from local authorities, waste disposal companies, specialist retailers and the manufacturer of the device.

### 08.3 CONFORMITY WITH ROHS

This product complies with the European RoHS Directive on the restriction of the use of certain hazardous substances in electrical and electronic equipment and variations thereof.

### 08.4 CE MARK

The imprinted CE mark complies with the applicable EU standards and indicates that the device meets the requirements of all EU directives applicable to this product.

**DÖRR LED Camping- & Emergency Light  
CL-1285**

Item-No. **980374**

Made in China

**DÖRR GmbH**

Messerschmittstr. 1

D-89231 Neu-Ulm

Fon: +49 731 970 37 69

info@doerr.gmbh

<https://doerr-outdoor.de>