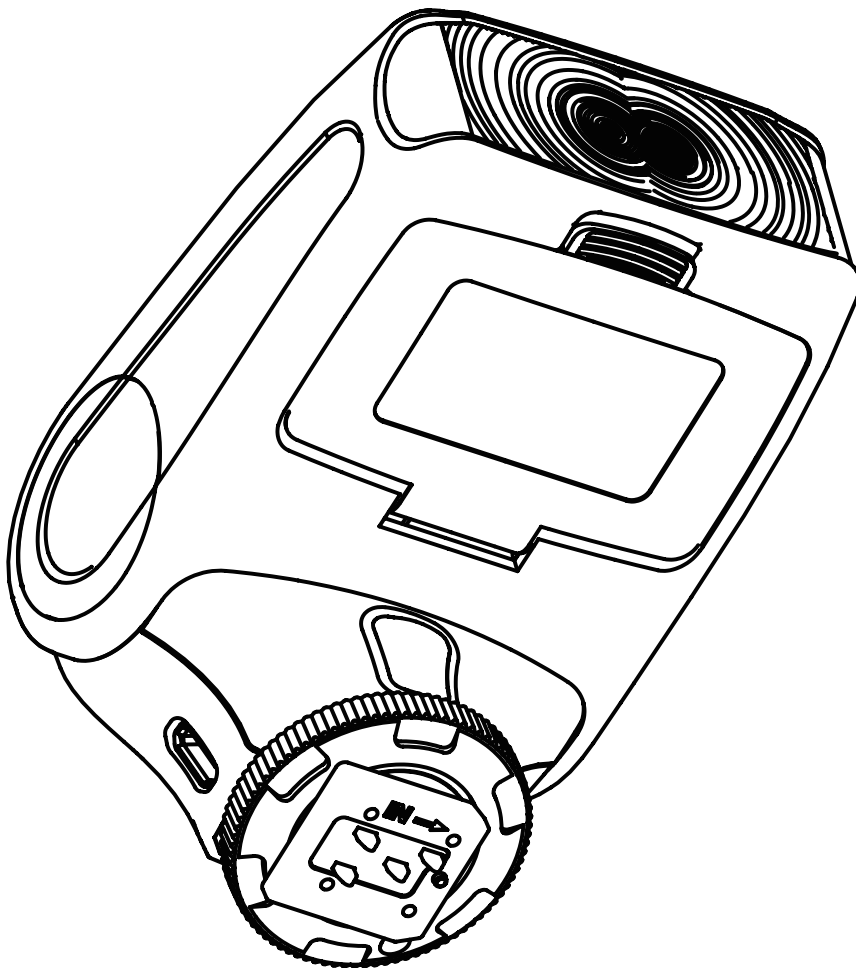


DÖRR

DAF-320

TTL FLASH

CANON



Thank you for choosing this DÖRR product.

Please read the instruction manual and safety hints carefully before first use. Keep this instruction manual together with the device.

SAFETY HINTS

- Do not use or touch the device kit with wet hands.
- If the device is not in use for a longer period, please remove the batteries.
- Protect the device from rain, moisture and extreme temperatures.
- Do not use the device if it has been dropped. In this case a qualified electrician should inspect the device before you use it again.
- If the device is damaged or if you notice a burnt smell: Interrupt the electronic power supply by removing the batteries. Do not attempt to repair the device by yourself. When service or repair is required, contact qualified service personnel.
- Never use aggressive cleansing agents or benzine to clean the device. We recommend a soft microfiber cloth to clean the outer parts of the device.
- Store the device in a dust-free, dry and cool place.
- Keep away from children.
- DÖRR is not liable for damages caused by improper use or the failure to observe the safety hints.

BATTERY HINTS

Only use high-quality batteries of popular brands. When inserting the batteries, please note correct polarity. Do not insert batteries of different types. Please remove batteries when device is not in use for a longer period. Do not charge the batteries - risk of explosion! In case of contact with battery acid rinse the affected area immediately with water and contact a doctor. Do not dispose of batteries in household waste.

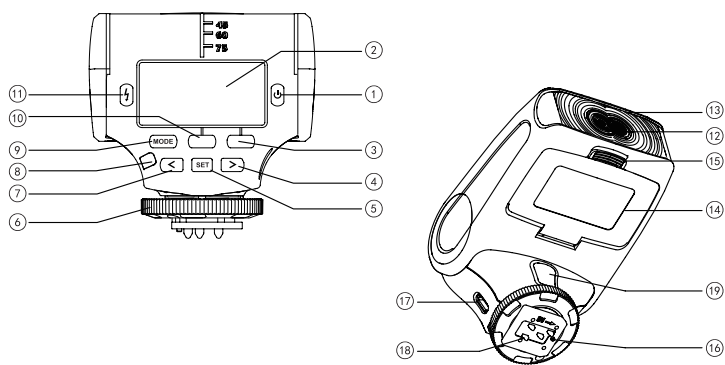
INTRODUCTION

The DÖRR DAF-320 is a system flash, which harmonizes with the functions of your Canon DSLR or system camera. Our intension is that by using the DAF-320 you will achieve much better image results than with the use of the built-in camera flash or without flash. For an optimum use of the functions of your new flash unit, please read these instructions before starting to work with the flash.

KEY FEATURES OF THE DÖRR DAF-320 FLASH

- **ETTL Flash Control** – the required flash power is calculated and set automatically. Perfectly illuminated pictures are guaranteed.
- **+/- Correction** - for adaption to difficult light conditions
- **Powerful Flash** – guide no. 32; the flash ranges up to 15m (at ISO 400 and aperture setting F4.0)
- **Manuel Power Setting**– of great advantage for complex or creative picture composing
- **Remote Control and Slave Mode** – allows the wireless use of the D-320 flash off camera – using TTL or manual flash control
- **Flash Head can be bounced and tilted** – for indirect flash ensuring softer light characteristics
- **Strobe Flash** – for creative image effects
- **LED Modelling Light** – ensures precise autofocus even at low ambient light
- **Sleep Function** – auto power saving mode
- **Stable Metal Flash Head**
- **Overheating Protection**
- **LCD** – displays all settings

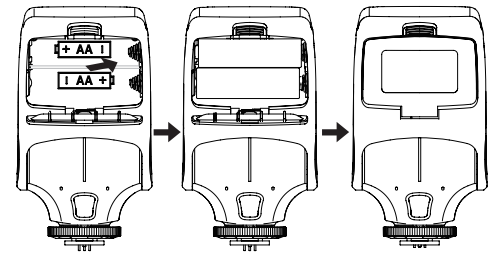
NOMENCLATURE



- | | |
|---|---------------------------------------|
| 1 Main & assist light switch | 12 Flash head |
| 2 LC display | 13 LED modelling light |
| 3 C2 button | 14 Battery compartment |
| 4 Arrow key right | 15 Unlock key for battery compartment |
| 5 SET button | 16 Locking pin |
| 6 Clamp collar | 17 USB charging socket |
| 7 Arrow key left | 18 Flash contacts |
| 8 Flash ready indicator | 19 Wireless sensor |
| 9 MODE button | |
| 10 C1 button | |
| 11 Button for test flash and strobe modelling light | |

INSERTING THE BATTERIES

- Open the battery compartment by moving the unlock key forward.
- Insert 2 Mignon AA batteries into the battery compartment and make sure to respect the polarization as indicated in the battery compartment.
- Close the compartment lid by pressing until it clicks closed.
- Press the main switch for 2 seconds to switch the flash unit on.



BATTERY STATUS DISPLAY

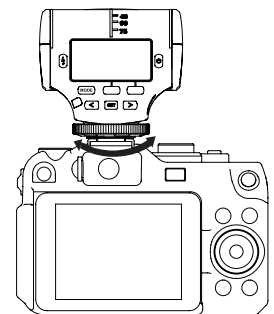
When switching on the flash, the LCD shows a battery symbol, indicating the battery capacity. In case the batteries are exhausted, an empty battery symbol will blink. If so, please replace the batteries with fresh ones or recharge the batteries (if using rechargeable ones).

CHARGING BATTERIES

We recommend the use of rechargeable NiMH or Li-Ion batteries for ecological and economic reasons. The batteries can remain in the flash's battery compartment during the charging. Connect the flash via Micro USB cable to a power bank (both optional) or another power source of AC 5V 1A.

MOUNT THE FLASH ON YOUR CAMERA AND SWITCH THE FLASH ON

- Slide the flash onto the camera's hot shoe as far as it will go.
- Fix the clamp collar by rotating it clockwise. So the flash will not get loose accidentally.
- If you wish to remove the flash from the camera, rotate the clamp collar counter clockwise.
- Press the main switch for 2 seconds to switch the flash unit on.



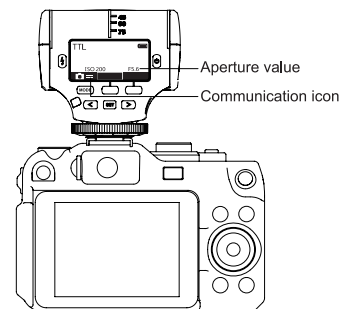
SLEEP MODE

In order to save the battery power, the DAF-320 flash is fitted with a power saving function. It becomes active 60s after last use of the camera, or when you switch the camera off. The flash goes to standby mode and the display shows Sleep. When you switch camera on again, the flash will automatically be ready.

OPERATION OF FLASH

ETTL FLASH CONTROL WITH PROGRAM MODE

Once the flash is mounted on the camera, switch the camera on and set it to program (P) mode. Aperture and flash sync time will be set automatically. Now switch the flash unit on. In case the flash is not in ETTL mode, press the MODE button repeatedly until the ETTL flash mode is on. The LCD shows "ETTL". When the flash ready signal indicator on the flash starts glowing, you simply need to press the release button of your camera. The auto ETTL flash control ensures exact illumination of your object by controlling both the camera's and the flashgun's amount of light.



ETTL FLASH CONTROL WITH APERTURE PRIORITY MODE

If you wish to take pictures in aperture priority mode in favour of a certain focus range, the ETTL flash control will be available as well. Set your camera to aperture priority mode (Av) and the flash to ETTL mode. Now you can set the desired aperture at the camera manually. Please note that the flash range decreases with smaller apertures (higher aperture numbers).



ETTL FLASH CONTROL WITH SHUTTER PRIORITY MODE

Set the camera to shutter priority mode (Tv) and the flash to ETTL mode. Now you can set a desired exposure time on your camera. However, it should not go below the camera's shortest flash sync time (x-synchronization) – see camera manual.

ETTL FLASH CONTROL WITH MANUAL EXPOSURE SETTING

Set your camera to manual exposure mode (M) and the flash to ETTL mode. Now you can set the aperture and exposure time as desired. Despite of the manual setting, the ETTL flash control will automatically provide the correct illumination for your object.

MANUAL FLASH EXPOSURE COMPENSATION WITH E TTL CONTROL (+/- CORRECTION)

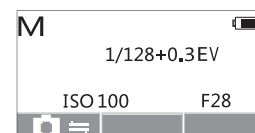
The auto E TTL flash control usually ensures correct illumination. Some objects require a more natural image effect, so the flash power needs to be slightly reduced. In other cases, a slightly increased flash power can improve the image result. Press the C2 button to set the desired exposure compensation value. The display shows 0.0EV. Pressing the right arrow key, you can increase the flash power, using the left arrow key, the flash power will be reduced.



Each step corresponds to approx. 1/3EV. 1 EV corresponds to 1 aperture step. Once the desired correction figure is selected, confirm by pressing the C2 button. The correction value will be used until changed. The auto E TTL flash control remains active; however, the flash power will be influenced by the set correction value within a range of -3.0EV to + 3.0EV.

MANUAL FLASH MODE PHOTOGRAPHY

For manual flash mode, press the MODE button until the LCD shows "M" followed by the flash power ratio. The full flash power ratio 1/1 can be reduced down to 1/128. To set the desired flash power, press the SET button. The flash power shows up in the LCD with a dark background and can be varied in 1/3 EV steps by pressing the arrow keys. Aperture must be set manually. The flash range varies according to the aperture in use.



FLASH BRACKETING

When you are trying to photograph important objects in a difficult setting, bracketing with various power ratios can be useful. Press the C2 button FEB. The gradation symbol is marked in the display. Using the arrow keys, the desired gaps between the 3 bracketing shots can be set in steps of approx. 1/3 EV. Confirm with SET button. *Example: the set value is 1,3EV. The first shot will be taken with -1,3EV, the second shot without correction, the third shot will be taken with a correction of +1,3EV.*

FLASH RECYCLING TIME DISPLAY

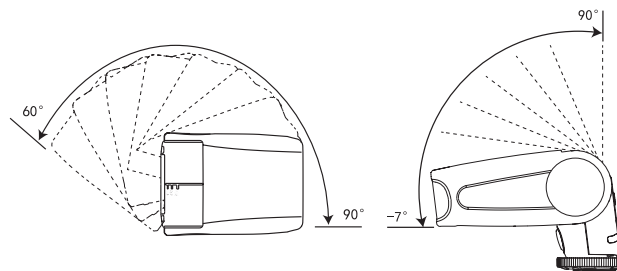
Depending on the flash power output, it may take up to 5 seconds until the flash is ready for the next shot. During the charging time, the flash ready indicator blinks. Once it glows permanently, the flash unit is ready to fire the next flash.

INDIRECT FLASH

The DAF-320 boasts of a bounce and tilt flash head. So the flash direction can be changed horizontally by 150° (60° to the left, 90° to the right) and from -7° to 90° vertically. You can avoid the direct flash onto your object, by directing the flash to a reflecting surface (incident angle = angle of reflection). The surface should be neutrally white (white wall or ceiling). When using coloured reflection surfaces, the colour of the surface will be reflected with the light, this will lead to colour distortions.

Indirect flash photography offers you the following advantages:

- Avoids harsh shadows
 - Avoids red-eye effect
 - Soft outlines and even illumination (particularly suitable for portraits)
 - Avoids disturbing light reflections of non-metallic surfaces, e.g. glasses
- Please consider that indirect flash photography reduces the flash range.



FLASH WITH DIFFUSOR

Portraits require a softer illumination. Instead of indirect flash, you can use the supplied diffuser. Mount it to the flash head front, then tilt the flash head upwards. The flash range will be reduced with the use of the diffuser.

FLASH ON SECOND CURTAIN

Using this function, the flash will not fire when the first curtain opens, but only when the second curtain is about to close. This will affect image results for moving objects if taken with an exposure time of > 1/30 s.

If the flash is fired onto the moving object during bulb exposure, the ambient light creates a light trail in front of the object, only the flash will fire and the movement will be recorded. In case of flash sync on second curtain, it is the opposite. Shortly before the second curtain closes, the flash fires. Now the light trail will follow the object and create the impression of speed and dynamic on the picture. Press the C1 button to set the second curtain flash. The LCD shows a corresponding symbol.

Hint: Use the manual exposure mode of your camera and set the shutter speed manually. This way it will be easier to adjust to the current recording situation. In order to avoid blurr caused by movements, we recommend the use of a DÖRR tripod.

USING THE DAF-320 AS A WIRELESS EXTERNAL E TTL FLASH

(only with cameras supporting the wireless E TTL function)

For most objects, it is of great advantage to use the flash laterally. Illumination will be more pleasant and more balanced than with a frontal flash. For this purpose, the DAF-320 can be used in wireless TTL flash mode. The wireless TTL flash mode allows you creative illumination of your object with one or more flash units from various directions. The following information will be useful:

A **Master Flash** is required to trigger and release the flash or flashes off camera.

Depending on the camera model, the incorporated flash can be used or a flash with master flash function can be used such as the DAF-320.

The DAF-320 can also be removed from the camera and used a **Remote Flash**. In this case, the flash is remote controlled. You can also use an unlimited number of DAF-320 as remote flashes. If you work with various remote flashes, you can arrange them into **Groups**: A, B and C.

You can assign properties to each group. Example:

- All flashes of group A will work in TTL flash mode
- All flashes of group B will work with TTL mode and exposure correction of -0,3EV.
- All flashes of group C will work manually with ¼ power ratio

The number of groups, which can be triggered, and the possible settings vary with the camera model. Please read the instructions of your camera.

Channels: On photo shootings it may happen, that a number of photographers uses same techniques. In order to avoid possible interferences, there are 4 channels available: 1, 2, 3 and 4. It does not matter which channel you use, however, it is important to set both master and remote flashes to the same channel.

WIRELESS EXTERNAL E TTL FLASH WITH DAF-320 IN MASTER MODUS – HOW TO PROCEED

The DAF-320 in master mode can trigger a number of flashes with remote function (e.g. more DAF-320). The remote flashes are programmed via the master flash.

1. Press the MODE button for 2 seconds.
2. Using the arrow keys, you can choose between five modes:
 - Normal E TTL mode
 - Remote mode
 - Master mode
 - S1 Slave mode
 - S2 Slave mode

Select Master Mode and confirm with the SET button.

3. The LCD shows a symbol for MASTER, information on groups and the selected channel CH
4. Pressing the SET button, the desired channel can be selected. CH will be marked. Now choose the channel using the arrow keys and confirm with SET button.
5. In order to set the desired flash power ratio between the groups A and B, press the C1 button until the display shows ratio A : B. Press the SET button to mark the value. Now you can change it using the arrow keys. Confirm your setting using the SET button.
6. Pressing the C1 button again, group C shows up. If you wish to enter a correction value for the flashes of group C, press the SET button until +/- 0 is marked. Now you can set the correction value in steps of 1/3EV using the arrow keys. Confirm your setting using the SET button.

MANUEL FLASH POWER SETTING WITH WIRELESS FLASH (IN MASTER MODE ONLY)

1. Use the C2 button to activate the correction value. The LCD shows +/- 0 marked.
2. Using the arrow keys, you can adjust the flash power in steps of 1/3EV.
3. Confirm your setting using the SET button.
4. Correction range: -3.0EV to + 3.0EV.

FLASH BRACKETING WITH WIRELESS E TTL FLASH (IN MASTER MODE ONLY)

Press the C2 FEB button twice. Press the C2 button FEB. The gradation symbol is marked in the display. Using the arrow keys, the desired gaps between the 3 bracketing shots can be set in steps of approx. 1/3 EV. Confirm with SET button.

MANUAL FLASH POWER SETTING WITH WIRELESS FLASH (IN MASTER MODE)

1. Use the MODE button to select the manual power setting "M".
2. Press the C1 button GROUP you can select one or more groups for which the setting will apply.
3. Press the SET button. The flash power ratio is marked.
4. Use the arrow keys to set the desired correction value in steps of 1/3EV.
5. Confirm your setting with SET button.

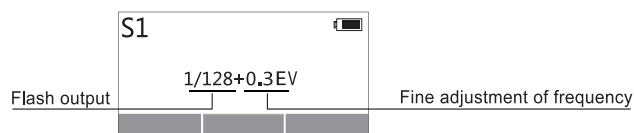
Available flash power range: 1/1 (full power) to 1/128

WIRELESS EXTERNAL E TTL FLASH WITH DAF-320 IN REMOTE MODUS – HOW TO PROCEED

1. Press the MODE button for 2 seconds.
2. Using the arrow keys, you select the Remote Mode. Confirm with SET button. The LCD shows REMOTE information on the set GROUP and channel CH.
3. Use the C1 button to select the desired group and confirm with SET button. The flash power of the defined groups is set at the master flash.
4. Use the C2 button to select the desired channel and confirm with SET button. Make sure that the selected channel corresponds to the channel of the master flash.
5. Place the DAF-320 flash in the desired position and make sure that there is no obstacle between the master and remote flash. The sensor of the remote flash must point towards the master flash. We recommend positioning the remote flash in a way that the sensor is in optimum position. Then turn the flash head into the desired flash direction.
6. Once all settings are done and checked and the flashes are positioned, you can start taking pictures.

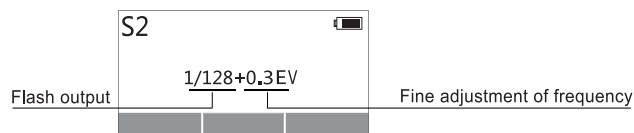
SLAVE FUNCTION S1 (NO E TTL)

You can initiate the DAF-320 wireless flash by a master flash (incorporated camera flash or another flash unit without pre-flash). Press the MODE button of D-320 until S1 appears on the LCD. The slave photocell is activated now and the corresponding symbol is shown on the LCD. Your camera must be set to C (commander flash) at the flash menu. Place the DAF-320 flash at the desired position. The light sensitive photocell will now receive reflecting light from the incorporated flash or another flash unit and releases the DAF-320 flash to fire simultaneously. In case the picture results achieved in S1 mode are not satisfactory, please try to work with mode S2.



SLAVE FUNCTION S2 (NO E TTL)

Modern E TTL flashes fire one or more pre-flashes shortly before the main flash is fired. In order to release the DAF-320 flash in slave mode simultaneously with the main flash, the photocell must ignore the pre-flashes. For this purpose, use the S2 mode. Press the MODE button until S2 appears on the LCD. The S2 function is identical to S1 slave function, except that the pre-flashes will be ignored. In case the picture results achieved in S2 mode are not satisfactory, please try to work with mode S1.



FLASH POWER IN SLAVE MODES S1 AND S2

E TTL flash control is not active in slave mode. When using the slave function, select the desired flash power. First, press the SET button. The flash power shows up in the LCD with a dark background and can be varied in 1/3 EV steps by pressing the arrow keys.

1 EV step corresponds to 1 aperture step). Both aperture and exposure time need to be selected manually on the camera. Depending on the aperture, the flash range may vary. *Note: The slave sensor is located at the front of the flash. In slave mode, the flash and the sensor should be directed towards the master flash. In slave mode, the Sleep power saving function is not available.*

FLASH WITH STROBE LIGHT RPT (REPEAT FLASH)

Depending on the object, it can be charming to flash repeatedly while using bulb mode. This how you can, for example, you can show the course of motion of a tennis player. Press the MODE button until MULTI shows up in the display. Now you can set the 3 parameters:

1. **Flash Power:** First, press SET button to adjust flash power. The flash power is marked in the LCD. Using the arrow keys, it can be adjusted in full EV steps from 1/128 to 1/8 of the full flash power. (1 EV step corresponds to 1 f-stop.)
2. **Number of Flashes:** Press the C1 TIME button until the flash frequency starts blinking in the LCD. Here you define the number of flashes fired during one picture shot. Using the arrow keys, you can select from 1 to 10 in steps of 1 and from 12 to 70 in steps of 2. Confirm the setting by pressing the SET button again.
3. **Frequency of the fired flashes:** In order to define the time interval between the flashes, press the C2 Hz button. Use the arrow keys to select a flash frequency between 1 and 10 in steps of 1 or from 10 to 100 in steps of 10. Confirm the setting by pressing the SET button again. 1Hz corresponds to 1 second, 10 Hz = 1/10s, etc.

Example for calculation of exposure time: You would like to fire the flash 20x during an exposure with 1/32 power ratio and a frequency of 10Hz. 20x 1/10s = 2s exposure time. Given by the higher energy consumption using strobe flash, not all flash frequencies and flash power ratios can be combined. The following settings are possible:

	1 Hz	2 Hz	3 Hz	4 Hz	5 Hz	6 Hz	7 Hz	8 Hz	9 Hz	10 Hz	20 Hz	30 Hz	40 Hz	50 Hz	60 Hz	70 Hz	80 Hz	90 Hz	100 Hz
1/8	14	14	12	10	8	6	6	5	5	4	4	4	4	4	4	4	4	4	4
1/16	30	30	30	20	20	20	20	10	10	8	8	8	8	8	8	8	8	8	8
1/32	60	60	60	50	40	32	28	24	22	20	12	12	12	12	12	12	12	12	12
1/64	90	90	90	80	70	56	44	36	24	24	24	24	24	24	24	24	24	24	24
1/128	90	90	90	80	70	56	44	36	24	24	24	24	24	24	24	24	24	24	24

The strobe setting MULTI can also be activated with W-TTL in master mode.

LED ASSIST LIGHT FOR AUTOFOCUS

The DAF-320 flash is fitted with an autofocus assist LED light. In case of very low light, the contrasts of your object may be insufficient for proper autofocus. In this case, the autofocus assist LED will go on, when the camera shutter is pressed halfway down. So the object will be illuminated and even in the darkest rooms, the autofocus will be able to work fast and precisely. Some cameras and certain settings will not support this function. Then the LED assist light can be switched on by pressing the C2/Assist Light button once. By pressing it again, you can switch the LED assist light off.

STROBE ASSIST LIGHT

Press the flash button for 2 seconds. The strobe assist light will work for approx. 2 seconds.

OVERHEATING PROTECTION

The DAF-320 is fitted with an overheating protection. In case of permanent and highly frequent flash firing with minimum 1/4 flash power, the DAF-320 is protected against damages caused by overheating. The flash will go off for approximate 2 minutes and a cooling mode starts. The LCD shows TP-HI.

SPECIFICATIONS

Flash Control	ETTL auto flash or manual
Guide no.	32 / ISO 100
Wireless Flash	Wireless E TTL control, usable as Master and Remote flash
Information	Illuminated LC Display
Specific Functions	Flash on first and second curtain, Flash Bracketing
Tilt Angle	-7° to 90°
Bounce Angle	150° (60° left, 90° right)
Flash Ready Indicator	red LED on the rear side of flash housing
AF Assist Light	LED light
Flash Recycling Time	max. 5s with fresh batteries
Number of Flashes	100 – 1500 with fresh batteries
Colour Temperature	approx. 5.500 K
ISO No	automatic match with camera
Test Flash	by pressing the flash button
Slave Function	incorporated photocell for 2 slave modes
Strobe Function	number and frequency adjustable
Energy Source	2x 1,5V AA Mignon batteries or rechargeable batteries of the same type
USB Micro/Mini 5pin Socket	for battery charging (cable not included)
Weight	approx. 150g (w/o batteries)
Measurements	110 x 65 x 35 mm
Items in box	Flash, diffusor, case, stand, manual

Power Ratio Setting	1/1	1/2	1/4	1/8	1/16	1/32	1/64	1/128
Guide No.	32	29,4	21,5	15,2	10,8	7,6	5,4	5,1

Based on ISO 100, guide no. = aperture x distance in m



ATTENTION

Batteries are marked with the symbol of a crossed out bin. This symbol indicates that empty batteries or rechargeable batteries which can no longer be charged, should not be disposed of with household waste. Waste batteries may contain harmful substances that can cause damage to health and to the environment. Please use the return and collection systems available in your country for the disposal of the waste batteries.



WEEE INFORMATION

The Waste Electrical and Electronic Equipment Directive (WEEE Directive) is the European community directive on waste electrical and electronic equipment, which became European law in February 2003. The main purpose of this directive is to prevent electronic waste. Recycling and other forms of waste recovery should be encouraged to reduce waste. The symbol (trash can) on the product and on the packing means that used electrical and electronic products should not be disposed of with general household waste. It is your responsibility to dispose of all your electronic or electrical waste at designated collection points. Disposing of this product correctly will help to save valuable resources and it is a significant contribution to protect our environment as well as human health. For more information about the correct disposal of electrical and electronic equipment, recycling and collection points please contact your local authorities, waste management companies, your retailer or the manufacturer of this device.

RoHS CONFORMITY

This product is compliant with the European directive 2011/65/EU of June 08, 2011 for the restriction of use of certain hazardous substances in electrical and electronic equipment (RoHS) and its amendments.



CE MARKING

The CE marking complies with the European directives.